

2.0MP 20x Vehicle PTZ Camera



Features

Excellent Image Quality

- 2.0 Megapixel 1/2.8" Progressive Scan CMOS Sensor
- High definition and smooth picture, 1080p@60fps
- H.265 video codec, saves up to 50% bandwidth and storage
- Ultra low illumination, 0.003lux with color picture
- IR automatically adjusts
- 120dB Ultra WDR
- 3D noise reduction / HLC / BLC

Long Operation Lifespan

- Industrial components, withstands operation temperatures of -40°C ~ 70°C
- IP66, TVS 6000V lightning protection, surge protection and voltage transient protection

Large Scale

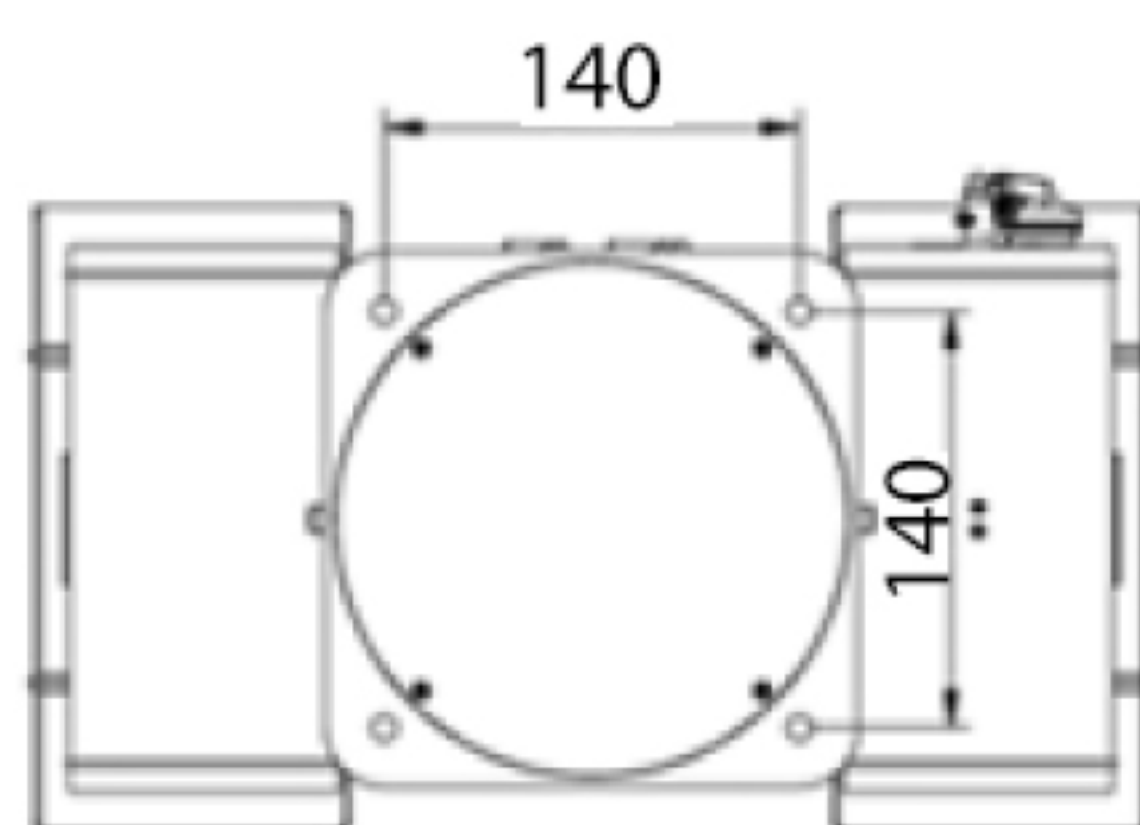
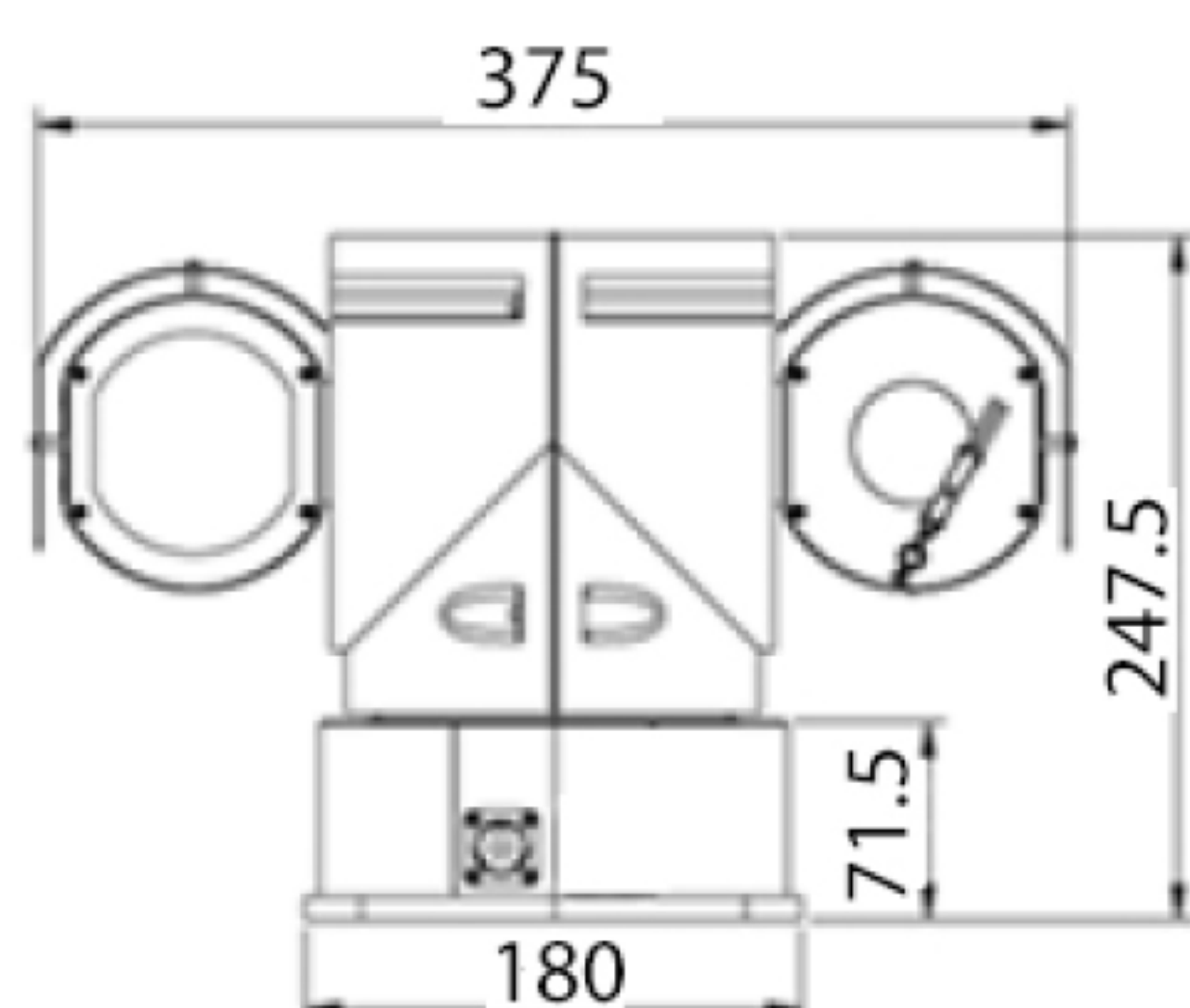
- 20x optical zoom
- IR distance up to 200m

Abundant functions and features

- Wiper supported
- Vehicle based PT structure

Dimensions

Units:mm



Specifications

Camera	
Image Sensor	1/2.8" Progressive Scan CMOS
Pixels	2.0 Megapixel
Min. Illumination	Color: 0.003lux @ (F1.6, AGC ON) B/W: 0.0003lux @ (F1.6, AGC ON); 0lux with IR
Shutter Speed	1 ~ 1/30,000S
Day / Night	Auto (ICR) / Color / B/W
Wide Dynamic Range	Ultra WDR, 120dB
S/N Ratio	>55dB
White Balance	Auto / Manual
Gain Control	Auto / Manual
Backlight Compensation	Off / WDR / BLC / HLC
Lens	
Focal Length	4.7 ~ 94mm, 20x optical
Zoom Speed	Approx 3s (Optical)
Angle of View	54.1° ~ 2.9° (Wide~Tele)
Min. Object Distance	300 ~ 1500mm (Wide~Tele)
Max. Aperture Ratio	F1.6 (Wide) / F3.5 (Tele)
Focus Control	Auto / Manual / Semi-Automatic
Infrared	
IR LED	8pcs IR LED Array
IR Distance	150 ~ 200m
IR Intensity	Automatically adjust according to zoom ratio
Pan and Tilt	
Pan / Tilt Range	360° Endless / -85° ~ 85° (Auto Flip)
Pan / Tilt Speed	Pan manual speed: 0.1° ~ 80°/s; Pan preset speed: 120°/s Tilt manual speed: 0.1° ~ 60°/s; Tilt preset speed: 100°/s
Proportional Zoom	Pan / Tilt speed can be adjusted automatically according to zoom multiples
Preset	256
Patrol	8 Patrols scheme, up to 32 presets per patrol
Pattern Scan	4 Scan paths, each path can record 10 minutes of operation path
Power-off Memory	Power-off memory / Power-on recovery
Auto Guard	Path / Preset / Mixed / Pan scan / Tilt scan / Frame scan / Random scan / Panorama scan
PT Limit	Manual / Scan / Pan
3D Positioning	PTZ control with mouse click and drag
Wiper	Supported
Video	
Compression Format	H.265 / H.264 / MJPEG
Image Resolution	Main stream: 1080p Secondary stream: D1
Frame Rate	Main stream: 1080p@60fps Secondary stream: D1@30fps
Bitrate	32kbps ~ 16Mbps
Bitrate Control	VBR / CBR
Multi Stream	Supported
Caption	Date&Time / Alarm / Direction / Customized
Privacy Masking	Up to 4 zones
Motion Detection	Up to 4 zones
Video Freeze	Supported
ROI	Supported
Digital Noise Reduction	3D noise reduction
Digital Defog	Supported
Image Flip	Flip / Mirror
Network	
Network Protocol	TCP/IP, UDP, HTTP, DHCP, DNS/DDNS, RTP/RTCP, RTSP, PPPoE, FTP, VSIP, UPnP, 802.1x, NAT, QoS, SMTP, IPv4, IPv6 (optional)
User Interface	IPC Control (IE, firefox, Chrome)
Max. User Access	10 Users (include 2 internal access)
Application Program	Onvif (Profile S, Profile G), GB/T 28181-2011, API, CGI
Alarm	
Alarm Triggers	Network disconnect
Alarm Events	Alarm report / Text overlay / Email notice
Interfaces	
Ethernet	10/100M, RJ45 interface
Environmental	
Operating Temperature	-40°C ~ 70°C / -40°F ~ 158°F
Operating Humidity	10% ~ 95%
Protection Level	IP66, TVS 6000V lightning protection, surge protection and voltage transient protection
Electrical	
Power	9 ~ 36V DC, wide range voltage input
Power Consumption	Max. 60W (IR on)
Mechanical	
Weight	7Kg / 15.44lb (Gross Weight)
Dimensions	180mm × 375mm × 247.5mm / 7.09" × 14.77" × 9.75"